

RPX Composites

Fiberglass Storage Tanks - Economy, Variety & Longevity

Start your profit boom with RPX Fiberglass Tanks and Containments. Many drillers & producers have found fiberglass as both an economical and quality alternative to other tanks. Some of the benefits and features of RPX fiberglass tanks include:

- Cost Savings - even a fully customized RPX tank can be more cost effective than our steel or poly competitors.
- Quality - RPX tanks are fabricated to API 12P standards while still having the ability for tank fittings & configurations that can be customized to your hook-up needs...we make tanks for *you!*
- Lifetime Corrosion Resistance - fiberglass tanks will not corrode or deteriorate from brine or exposure to sunlight...Are you getting 20+ years from your poly or steel tanks?
- Maintenance - fiberglass tanks stay looking good longer and can be serviced in the field when needed. RPX also can offer onsite consulting and repairs...just call us!
- Secondary Containment Solutions - double-wall tanks or open-top dikes...we dare you to compare the costs of site prep over using earthen dikes and pond liners.
- Delivery - to your well site or supply yard...RPX delivers!
- Variety - RPX has over 7 mold diameters to choose from...with fiberglass the possibilities are limitless! Popular sizes include:
 - ◇ 50 BBL (8'6" diameter x 5' sidewall)
 - ◇ 100 BBL (8'6" diameter x 10' sidewall)
 - ◇ 210 BBL (10' diameter x 15' sidewall)
 - ◇ 300 BBL (12' diameter x 15' sidewall)



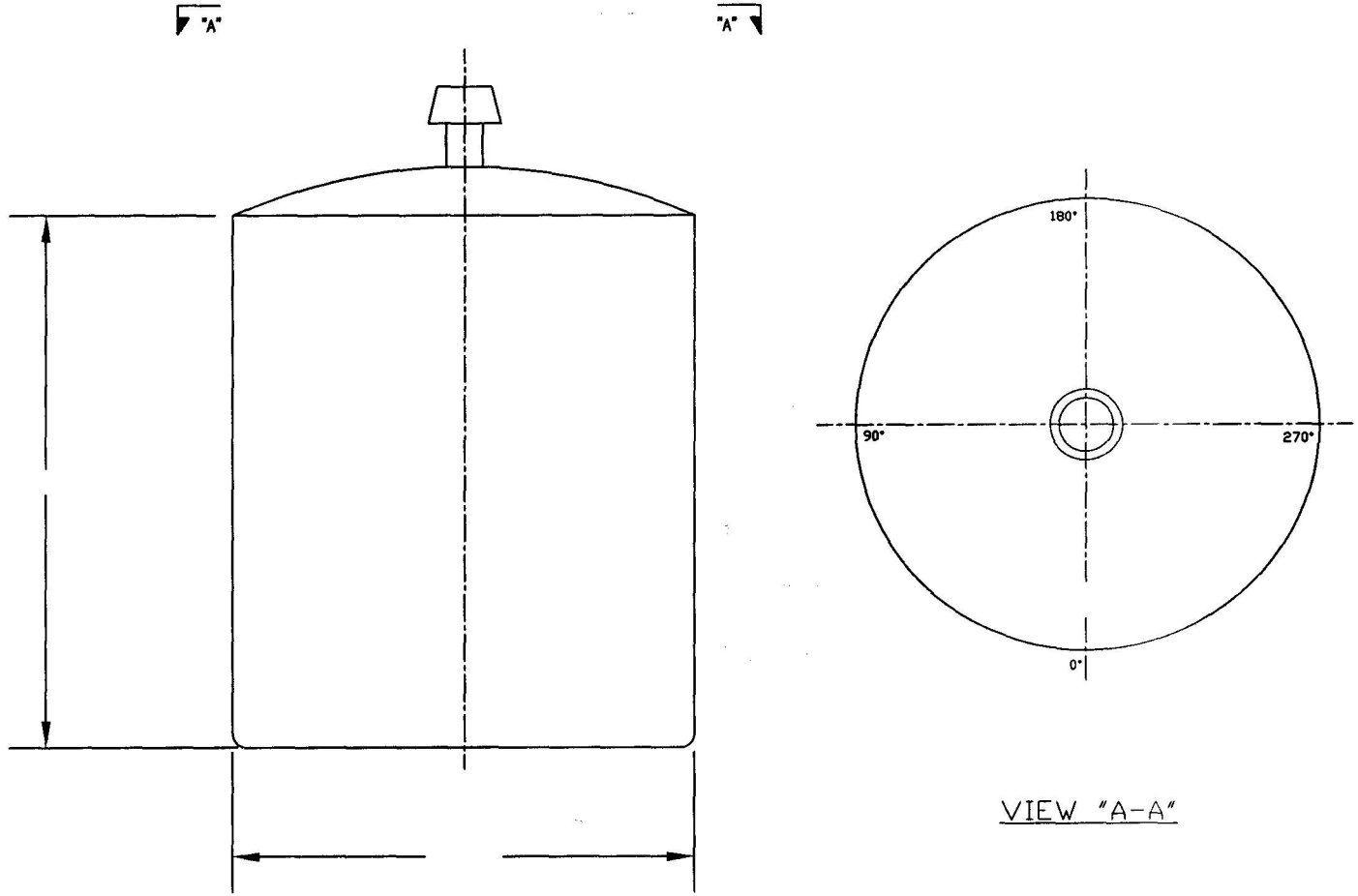
Ask your local oil & gas supply house to provide you a quote for the RPX Fiberglass Tanks that meet your specific containment needs. For your convenience, the back of this flier is a blank specification sheet...simply draw in your particular tank configuration and fax to RPX at 814-743-6196. We will return a quote via your designated supplier based on your design requirements.

RPX Fiberglass Tanks are proudly manufactured in Cookport, PA. At RPX, we hope that you consider us for your tank needs and would welcome the opportunity to provide you a quote for your upcoming drilling season.



RPX Tank Configuration

Need a brine water or other storage tank? We can configure to meet your specific hook-up requirements. Take a moment and sketch out what best suits your needs and we can offer a design drawing and pricing for your unique tank requirements.



Fitting Options:

- 3" Flange Steel - Inlet
- 3" Threaded Drain
- 3" Steel Swirl
- 3" Steel Blow Diffuser
- 2" Flange Steel - Inlet
- 2" Threaded Drain
- 2" Steel Swirl
- 2" Steel Blow Diffuser
- Mushroom Vent

- Tee Vent
- Flame Arrestor
- Thief Hatch
- Ladder Brackets
- Steel Ladder & Platform
- Metered Sight Strip
- Tank Insulation
- Tank Heater
- 24' Cleanout

Other: Please Describe

Delivery To: _____
